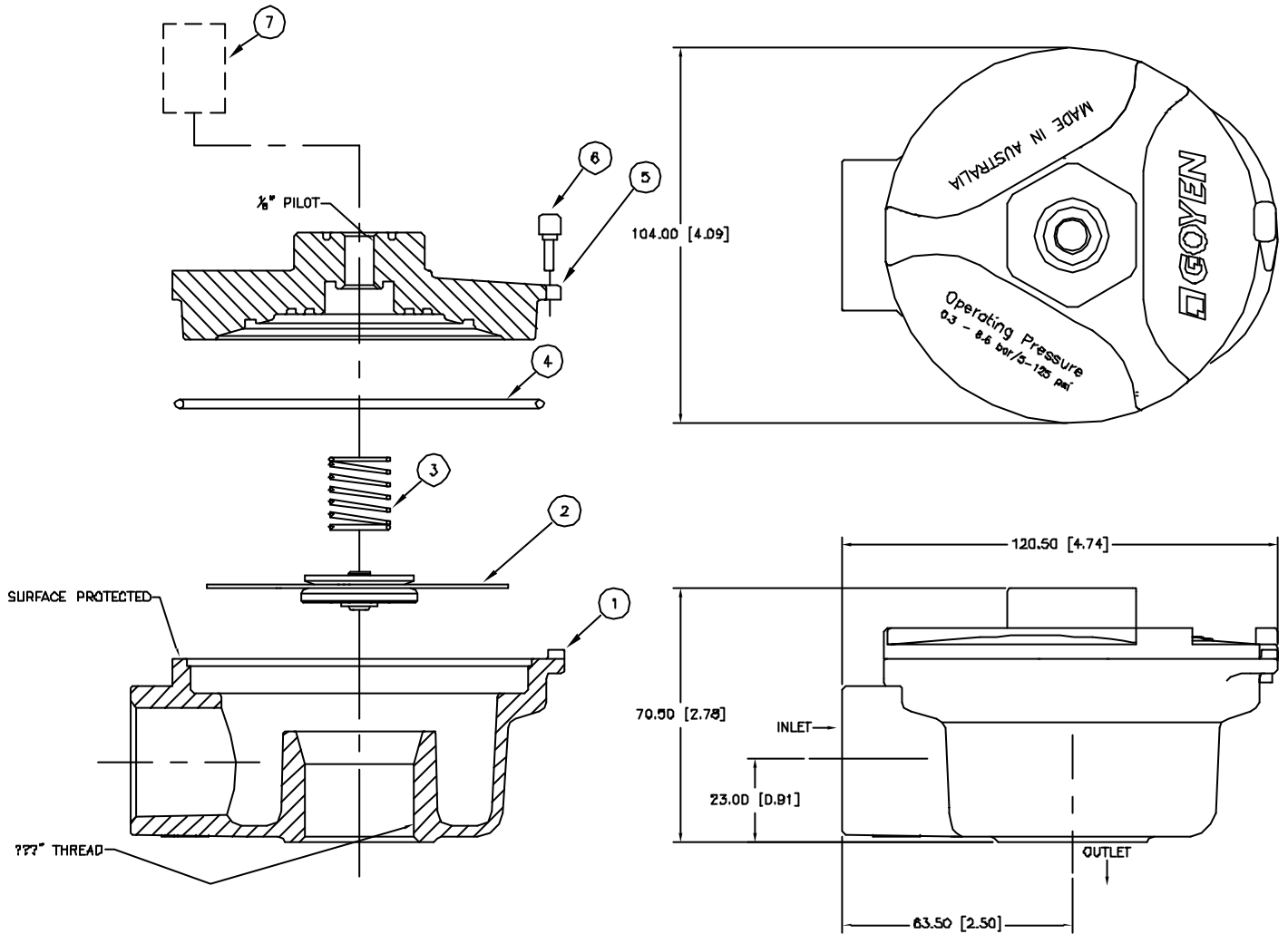


**DIAPHRAGM VALVES**  
**MILLENNIUM T SERIES - RCAC**  
**25mm (1")**



**MECHANICAL DETAILS**

No	DESCRIPTION	STANDARD MATERIAL	PORT OPTIONS	HIGH TEMP MATERIALS	KIT No STANDARD	KIT No HIGH TEMP
1	BODY	DIE CAST ALUMINIUM	NPT/BSPT G	—	—	—
2	DIAPHRAGM	BUNA/NYLON	—	—	TBA	TBA
3	SPRING	SS 304	—	—	—	—
4	O' RING	BUNA	—	—	—	—
5	COVER	DIE CAST ALUMINIUM	NPT/BSPT G	—	—	—
6	LOCATION PIN	NYLON	—	—	—	—
7	OPERATOR COIL KIT	COIL ENCAPTULATION = NYLON PLUNGER = SS SPRING = SS	—	—	TBA	—

**ELECTRICAL DETAILS**

COIL VOLTAGE	240 VAC / 120 VAC / 24 VDC
COIL CONNECTION	IP65 DIN

**WEIGHTS**

UNIT WEIGHT	RCAC = 0.665 Kg
-------------	-----------------

DOC No	CAS_DG_MILL25T3
REVISION No	2
ISSUE DATE	17.7.2002