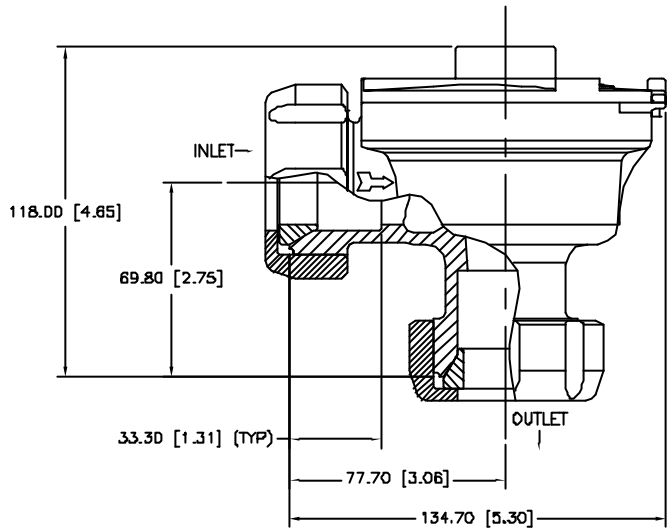
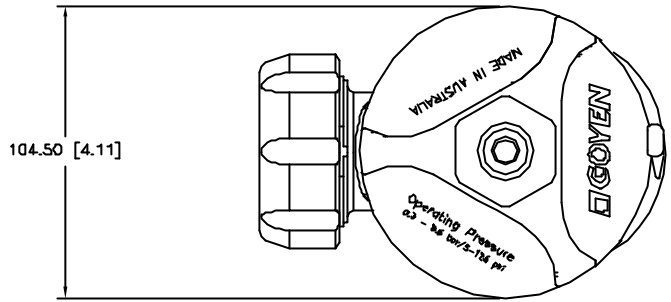
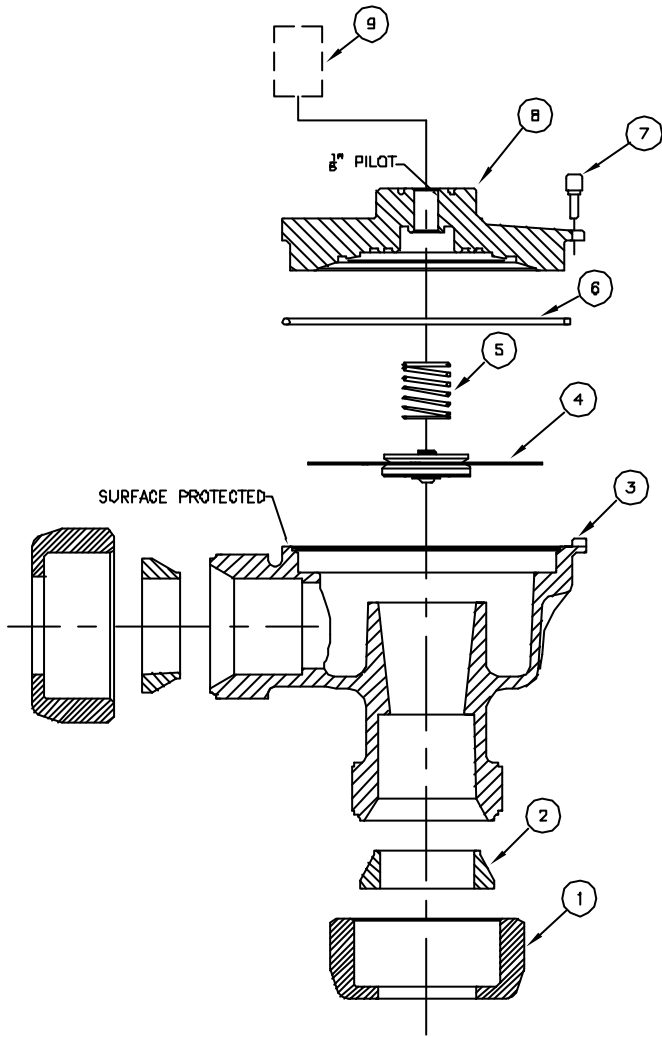


**DIAPHRAGM VALVES
MILLENNIUM DD SERIES - RCAC
25mm (1")**



MECHANICAL DETAILS

No	DESCRIPTION	STANDARD MATERIAL	PORT OPTIONS	HIGH TEMP MATERIALS	KIT No STANDARD	KIT No HIGH TEMP
1	NUT	DIE CAST ALUMINIUM	-	-	-	-
2	SEAL	NITRILE	-	-	-	-
3	BODY	DIE CAST ALUMINIUM	NPT/BSPT G	-	-	-
4	DIAPHRAGM	BUNA/NYLON	-	-	TBA	TBA
5	SPRING	SS 304	-	-	-	-
6	O ^r RING	BUNA	-	-	-	-
7	LOCATION PIN	NYLON	-	-	-	-
8	COVER	DIE CAST ALUMINIUM	NPT/BSPT G	-	-	-
9	OPERATOR COIL KIT	COIL ENCAPTULATION = NYLON PLUNGER = SS SPRING = SS	-	-	TBA	N/A

ELECTRICAL DETAILS

COIL VOLTAGE	240 VAC / 120 VAC / 24 VDC
COIL CONNECTION	IP65 DIN

WEIGHTS

UNIT WEIGHT	RCAC = 1.054 Kg
-------------	-----------------

DOC No	CAS_DG_MILL25DD3
REVISION No	2
ISSUE DATE	17.7.2002