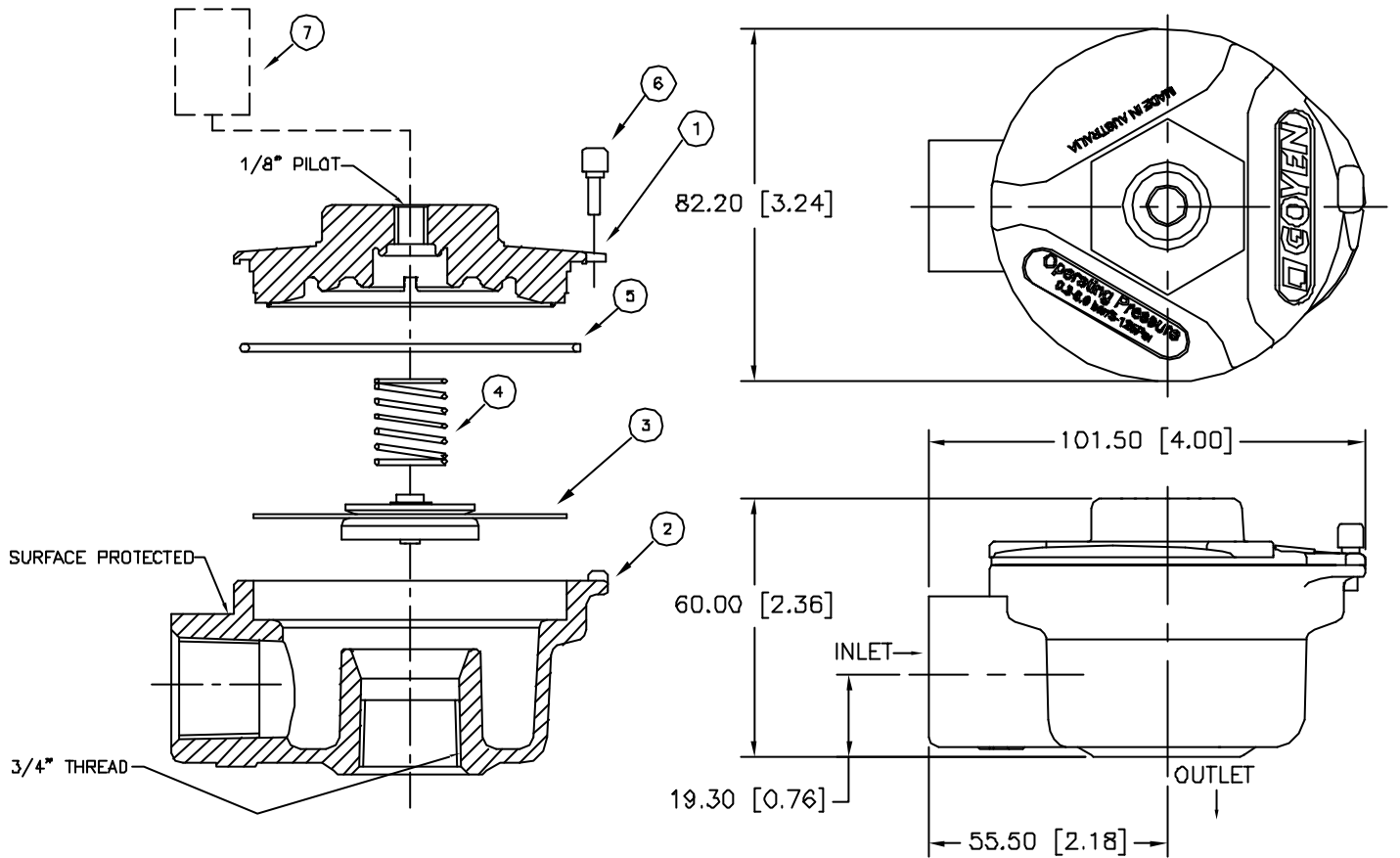


DIAPHRAGM VALVES
MILLENNIUM T SERIES - RCAC
20mm (3/4")



MECHANICAL DETAILS

No	DESCRIPTION	STANDARD MATERIAL	PORT OPTIONS	HIGH TEMP MATERIALS	KIT No STANDARD	KIT No HIGH TEMP
1	COVER	DIE CAST ALUMINIUM	NPT/BSPT G	—	—	—
2	BODY	DIE CAST ALUMINIUM	NPT/BSPT G	—	—	—
3	DIAPHRAGM	BUNA/NYLON	—	—	K2016	—
4	SPRING	SS 304	—	—	—	—
5	O ^o RING	BUNA	—	—	—	—
6	LOCATION PIN	NYLON	—	—	—	—
7	OPERATOR COIL KIT	COIL ENCAPTULATION = NYLON PLUNGER = SS SPRING = SS	—	—	MCO-24V DC MCO-110/127V AC MCO-220/240V AC	—

ELECTRICAL DETAILS

COIL VOLTAGE	240 VAC / 120 VAC / 24 VDC
COIL CONNECTION	IP65 DIN

WEIGHTS

UNIT WEIGHT	RCAC = 0.353 Kg
-------------	-----------------

DOC No	CAS_DG_MILL20T3
REVISION No	3
ISSUE DATE	17.7.2002