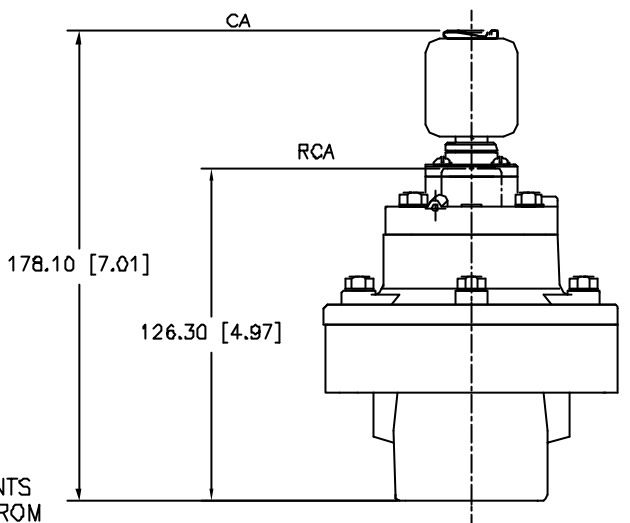
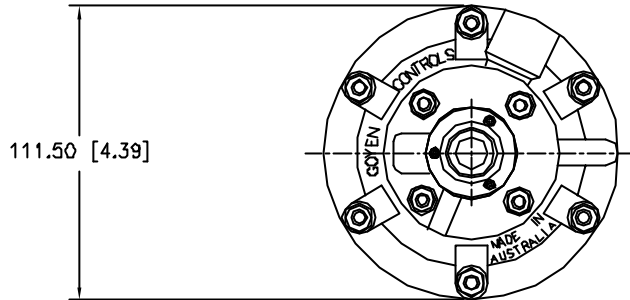
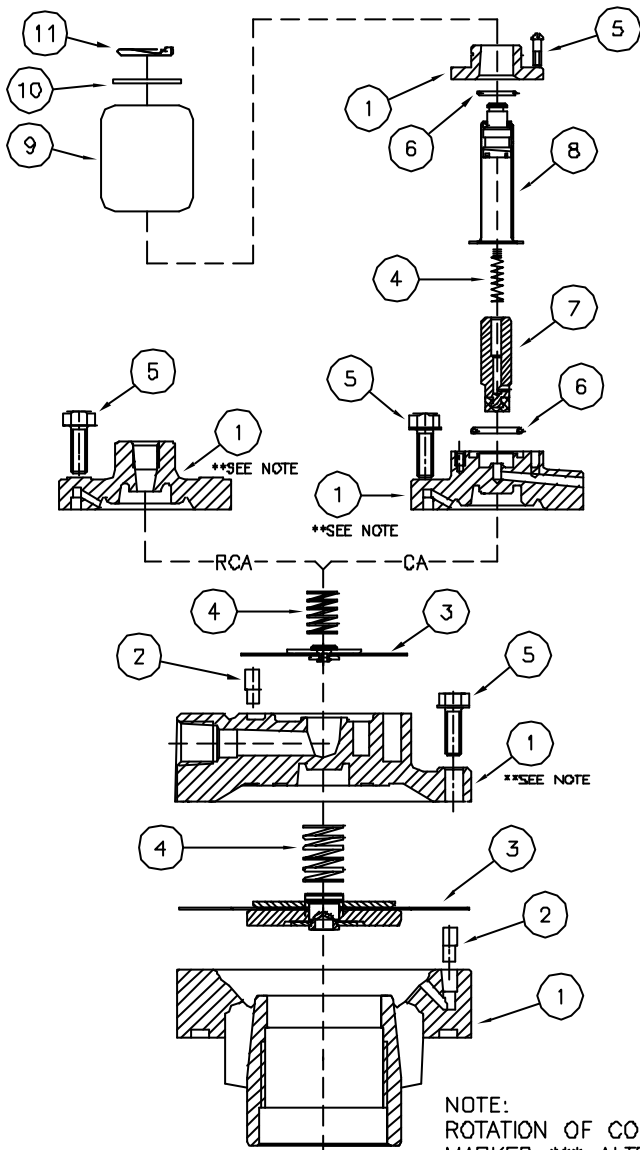


CA & RCA
40 MM

GOYEN



NOTE:
ROTATION OF COMPONENTS
MARKED *** ALTERED FROM
FINAL ASSEMBLY POSITION
FOR CLARITY OF CROSS
SECTION

MECHANICAL DETAILS

No	DESCRIPTION	STANDARD MATERIAL	PORT OPTIONS	HI TEMP MATERIALS	KIT No STANDARD	KIT No HI TEMP
1	BODY & COVER	ALUMINIUM DIE CAST CA313	1 1/2" PIPE	AS STANDARD	-	-
2	BLEED PIN	TURNED ALUMINIUM	N/A	AS STANDARD	-	-
3	MAIN DIAPHRAGM	BUNA N / BUNA N RUBBER	N/A	VITON	K4000	K4007
4	MAIN SPRING	304 STAINLESS STEEL	N/A	AS STANDARD	-	-
5	SCREWS	304 STAINLESS STEEL	N/A	AS STANDARD	-	-
6	O' RINGS	BUNA N / NITRILE	N/A	VITON	-	-
7	PLUNGER ASS'Y	430 FR STAINLESS STEEL	N/A	AS STANDARD	K0380	-
8	FERRULE/IRON TOP ASS'Y	305 STAINLESS STEEL	N/A	AS STANDARD	K0380	-
9	COIL ARRGMNT.	130° RATED NYLON ENCAPSULATION	QD -1/2 NPSC -M20x1.5	N/A	QR-K030-K0309 QD(M)-K0310-K0319 QD(N)-K0320-K0329	N/A
10	WASHER	PRESSED ALUMINIUM	N/A	AS STANDARD	-	-
11	CLIP	MECHANICAL PLATED STEEL	N/A	AS STANDARD	-	-

ELECTRICAL DETAILS

COIL VOLTAGE	200/240 VAC, 100/120 VAC, 24 VAC, 24 VDC, 12 VDC
COIL CONNECTION	QR - DIN CONNECTION QD CONDUIT ENTRY

WEIGHTS

UNIT WEIGHT	RCA = 0.900 Kg CA = 1.120 Kg
-------------	--------------------------------

DOC No	CAS_DG_40MM
REVISION No	2
ISSUE DATE	17.7.2002